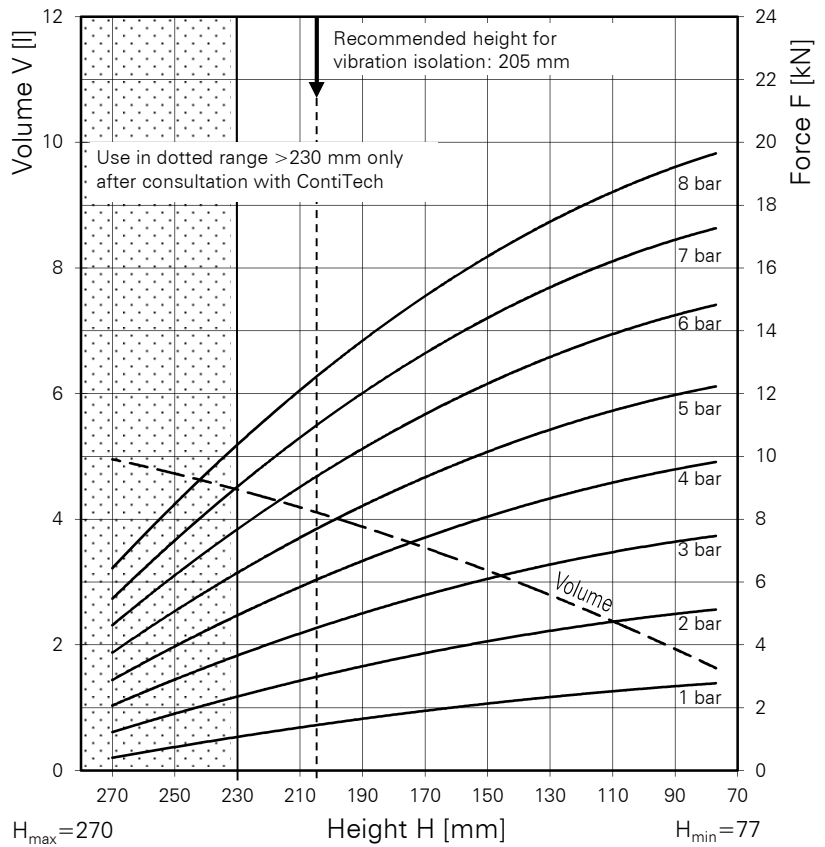
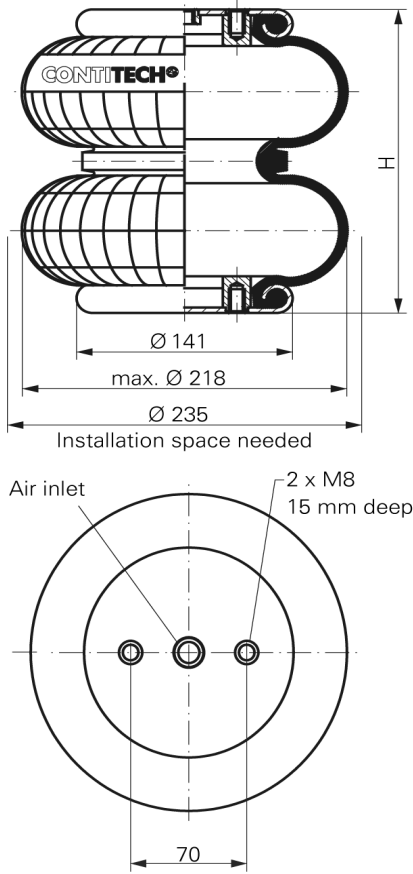


# FD 120-20 CI

# Double Convolution Air Spring



### Purchase order data

Type	Order No.
Rubber bellows only	68628
With clamped plates G 1/4 air inlet	62448
With clamped plates G 3/4 air inlet	62055
With stainless steel clamped plates G 3/4 air inlet	67814

Additional types on request

### Technical data

Min. pressure	0 bar
Return force to min. height	$\leq 200$ N
Overall weight with clamped plates	2.3 kg

### Vibration isolation - dynamic characteristic values

Design height  $H$ : recommended 205mm, minimum 190mm

Pressure $p$ [bar]	3	4	5	6	7	8	Vol $V$ [l]	
Force (Load) [kN]	4.6	6.2	7.8	9.4	11.1	12.7		4.1
Spring rate [N/cm]	650	840	1030	1200	1390	1541		
Natural frequency [Hz]	1.9	1.8	1.8	1.8	1.8	1.7		

### Pneumatic application - static characteristic values

Force  $F$  [kN]

Pressure $p$ [bar]	3	4	5	6	7	8	Vol. [l]		
Height $H$ [mm]	200	4.7	6.2	7.9	9.6	11.2		12.9	4.1
	160	5.8	7.8	9.8	11.9	13.9		15.8	
	120	6.8	9.0	11.3	13.7	16.0		18.0	
	80	7.3	9.7	12.1	14.7	17.1	19.5		



Service instructions

M 8 = 25 Nm

G 1/4 = 25 Nm

G 3/4 = 50 Nm

Measuring procedure: Room temperature / Force- height- data quasistatic / Dynamic data at 1 Hz